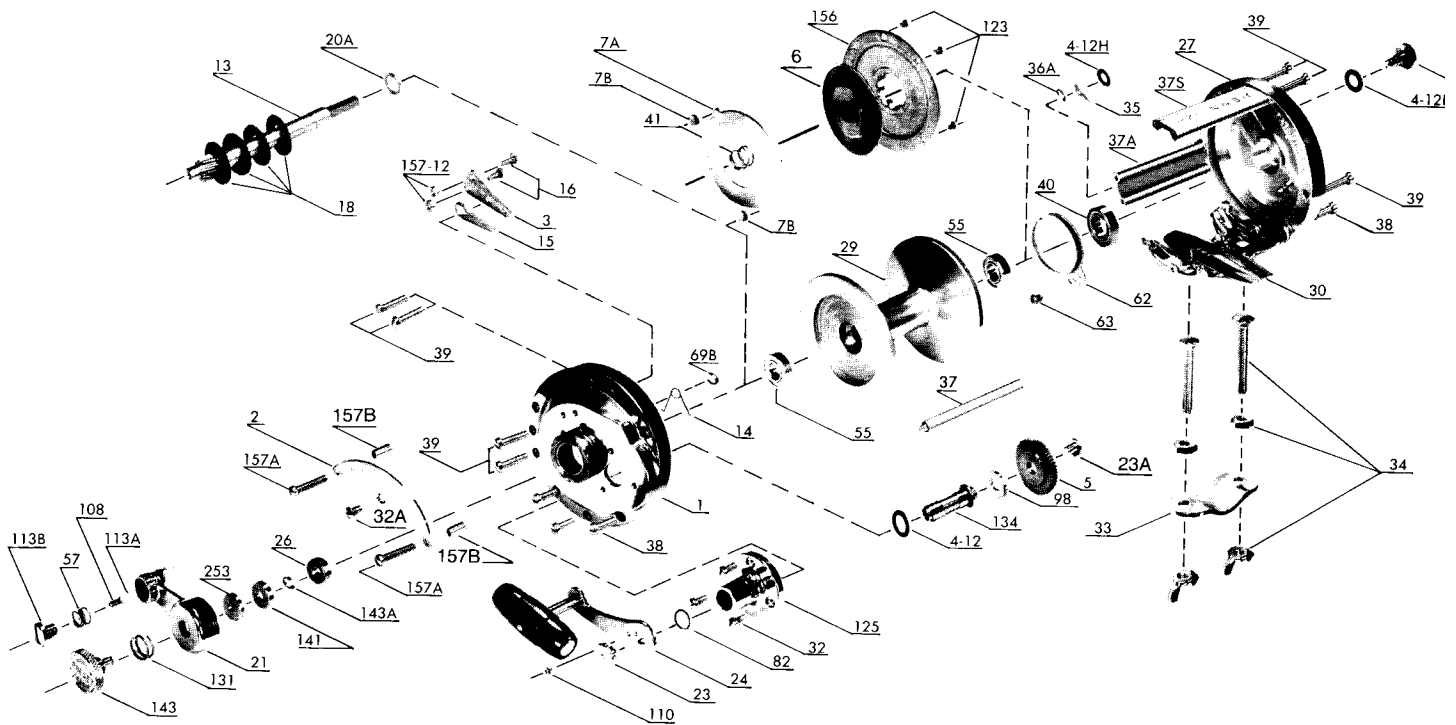




PARTS AND PRICE LIST FOR INTERNATIONAL 12H



Key No.	Part No.	Description	Price	Key No.	Part No.	Description	Price
1	1-12	Right Side Plate Assembly	\$39.70	37	37-12	Frame Post	\$ 1.60
2	2-6	Quadrant Ring	5.40	37A	37A-12	Spacer Bar	3.85
3	3-6	Ratchet Dog Bridge	3.75	37S	37S-12H	Stamped Spacer Bar	4.65
4-12H	4-12H	Click Button Washers (2)	.45	38	38-8	Stand Screws (6)	.35
4-12	4-12	Gear Stud Washer	.45	39	39-6	Spacer Screws (4)	.35
5	5-12H	Main Gear	7.30	40	55-12H	Left Side Plate Bearing	11.25
6	117-12T	Drag Washer/Drive Plate	10.95	41	57-109	Bearing Spring	.50
7A	7A-6	Metal Ear Drag Washer	4.25	55	20-722	Spool Bearings (2)	11.00
7B	7B-12H	Pressure Plugs (2)	.45	57	57-109	Drag Lever Spring	.50
13	13-12H	Pinion Gear	21.50	62	62-309	Clock Spring	1.45
14	14-6	Dog Spring	.40	63	63-209	Click Spring Screw	.70
15	15-6	Dog Ratchet	.70	69B	69B-50	Retaining Ring	.70
16	16-6	Bridge Mounting Screws (2)	.40	82	82-6	Handle Shim	.70
18	18-12T	Clutch Springs (4)	.60	98	98-6	Main Gear Ratchet	1.30
20A	20A-12H	Thrust Washer	.45	108	108-140	Drag Lever Button Spring	.40
21	21-6	Drag Lever	20.25	110	110-60	Handle Lock Screw	.35
23-A	23-6	Gear Mounting Screw	1.05	113A	113A-6	Drag Lever Button	.70
23	23-60	Handle Screw	1.45	113B	113B-6	Drag Lever Screw	.95
24	24-12H	Handle	10.70	123	123-50	Drag Cover Screws (4)	.35
26	55-6	Right Side Bearing	11.25	125	125-6	Gear Stud Housing	10.70
27	27-12H	Left Side Plate	36.25	131	131-6	Pre-Set Spring	.70
29	29L-12T	Spool	50.00	134	134-12H	Main Gear Stud	4.65
30	30-99	Stand	4.55	141	141-6	Lever Follower	2.00
32	32-14	Gear Stud Housing Screws (3)	.35	143	143-6	Pre-Set Knob	6.00
32-A	110-50	Quadrant Screw	.45	143A	143A-6	Retaining Ring	.40
33	33-200	Rod Clamp	3.25	156	156-12H	Drag Washer Cover	5.65
*33R	33R-200	Ringed Rod Clamp	4.80	157-B	157-12T	Quadrant Spacer Bushings (2)	.50
34	34-200	Clamp Screw W/Nuts	1.20	157	157-12	Ratchet Dog Bridge Bushings (2)	.50
35	35-155	Click Tongue	.75	157-A	16-9	Quadrant Screw	.35
36	36-12H	Click Button	1.30	253	253-12	Thrust Bearing	8.65
36A	69B-50	Retaining Ring	.70				

* Not Shown